

This parts catalog is the 1st edition of 3TNV88C-KHW  
for HAKO- Citymaster 650

OCD50-M04200EN

# P R E F A C E

This parts catalog is the 1st edition of 3TNV88C-KHW for HAKO.

Published : October, 2018

# Contents

Fig. No. Fig. Name

Fig. No. Fig. Name

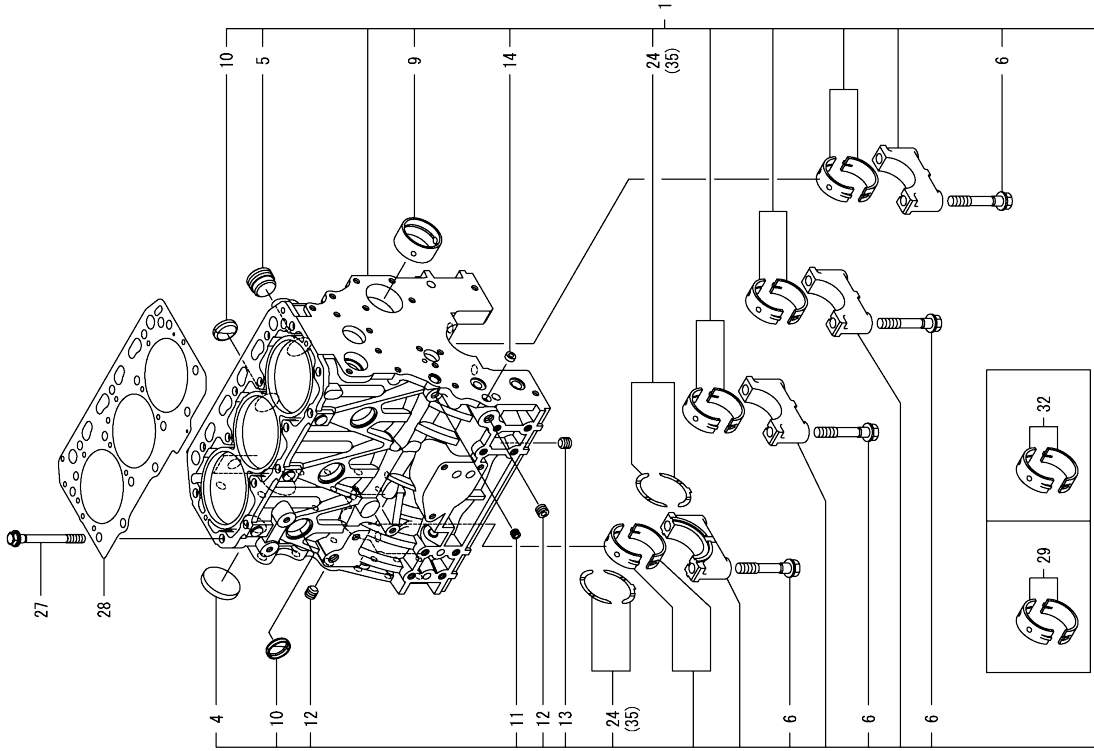
## ENGINE

- | Fig. No. | Fig. Name                      |
|----------|--------------------------------|
| 1.       | CYLINDER BLOCK                 |
| 2.       | GEAR HOUSING                   |
| 3.       | FLYWHEEL HOUSING & OIL SUMP    |
| 4.       | CYLINDER HEAD & BONNET         |
| 5.       | SUCTION MANIFOLD               |
| 6.       | EXHAUST MANIFOLD               |
| 7.       | DIESEL PARTICULATE FILTER(DPF) |
| 8.       | CAMSHAFT & DRIVING GEAR        |
| 9.       | CRANKSHAFT & PISTON            |
| 10.      | LUB. OIL SYSTEM                |
| 11.      | COOLING WATER SYSTEM           |
| 12.      | FUEL SUPPLY PUMP               |
| 13.      | FUEL INJECTION VALVE           |
| 14.      | FUEL PIPE                      |
| 15.      | STARTER MOTOR                  |
| 16.      | GENERATOR                      |
| 17.      | ELECTRONIC CONTROL UNIT(ECU)   |
| 18.      | ELECTRIC PARTS                 |
| 19.      | ACCESSORY                      |
| 20.      | GASKET SET                     |

Fig.1. CYLINDER BLOCK

(A)=3TNV88C-KHW  
(B)=  
(C)=  
(D)=  
(E)=  
(F)=

No.	Lev.	Parts No.	Description	(A)	(B)	(C)	(D)	(E)	(F)	Qty	I	R
1	1	129A00-01560	BLOCK ASSY, CYLINDER	1						1		
4	2	129001-01250	PLUG, 50	1						1		
5	2	171051-01921	PLUG, NPTF1	1						1		
6	2	129150-02020	BOLT, METAL CAP	8						8		
9	2	129795-02412	BUSH, CAMSHAFT	1						1		
10	2	27241-300000	PLUG 30	6						6		
11	2	124060-01050	PLUG, PT1/8	1						1		
12	2	124160-01910	PLUG, PT1/4	2						2		
13	2	124160-01910	PLUG, PT1/4	1						1		
14	2	27241-120000	PLUG, 12	1						1		
24	2	129150-02931	METAL ASSY, THRUST	2						2		
27	1	129150-01200	BOLT, CYLINDER	14						14		
28	1	129A00-01331	GASKET ASSY, HEAD	1						1		
29	1	129001-02931	METAL ASSY, MAIN	4						4		1
32	1	129150-02871	METAL ASSY,	4						4		2
35	1	129150-02941	METAL ASSY, 0.25 OS	1						1		3



Remarks

- (1) Spare parts.
- (2) Under-sized (U.S.=0.25) parts.
- (3) Over-sized (O.S.=0.25) parts.

Fig.2. GEAR HOUSING

(A)=3TNV88C-KHW  
(B)=  
(C)=  
(D)=  
(E)=  
(F)=

No. Lev. Parts No. Description Qty (A) (B) (C) (D) (E) (F) I R

No.	Lev.	Parts No.	Description	Qty	(A)	(B)	(C)	(D)	(E)	(F)	I	R
1	1	129C32-01500	CASE, GEAR	1								
2	1	129100-01580	PIN, PARALLEL-8X16	2								
3	1	124160-01751	CAP, FILLER	1								
4	1	129795-01950	PIPE, KNOCK L=18	2								
5	1	119609-32040	O-RING, P16	2								
6	1	119624-32040	O-RING, P12.0	1								
7	1	24311-000320	O-RING, 1AP32.0	1								
8	1	26106-080162	BOLT, M8X 16 PLATED	3								
9	1	121023-26071	COVER, PUMP	1								
10	1	24321-000850	O-RING, 1AG85.0	1								
11	1	26106-100202	BOLT, M10X 20 PLATED	2								
12	1	124240-01871	COVER, HYDRAULIC PUMP	1								
13	1	129C26-01890	GASKET, PUMP	1								
14	1	22190-080002	WASHER, SEAL 8	1								
15	1	26106-080142	BOLT, M8X 14	1								
16	1	26106-080352	BOLT, M8X 35 PLATED	3								
17	1	129C00-01550	COVER ASSY, CASE	1								
19	2	119934-01800	SEAL, OIL	1								
20	1	124240-01871	COVER, HYDRAULIC PUMP	1								
21	1	22190-080002	WASHER, SEAL 8	1								
22	1	26106-080162	BOLT, M8X 16 PLATED	4								
23	1	26106-080352	BOLT, M8X 35 PLATED	1								
24	1	26106-080402	BOLT, M8X 40 PLATED	5								
25	1	26106-080602	BOLT, M8X 60 PLATED	3								
26	1	26106-080852	BOLT, M8X 85 PLATED	4								

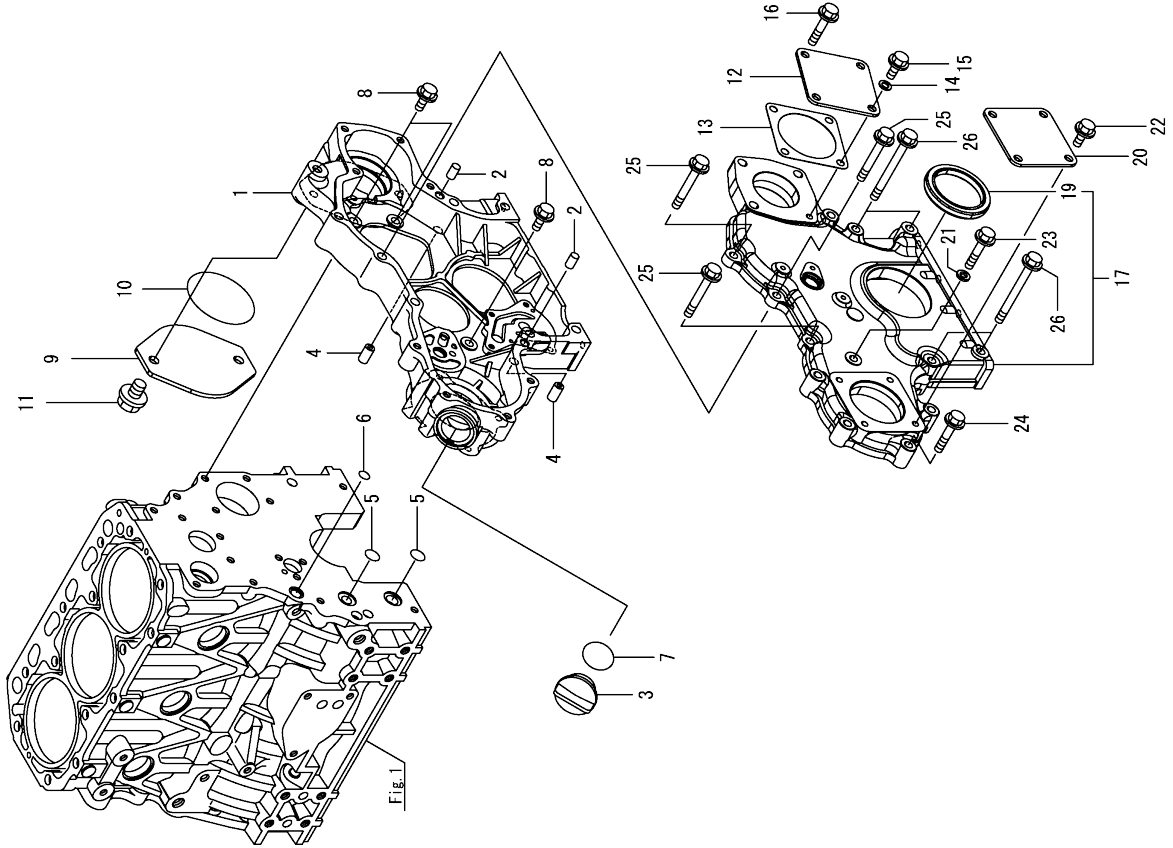


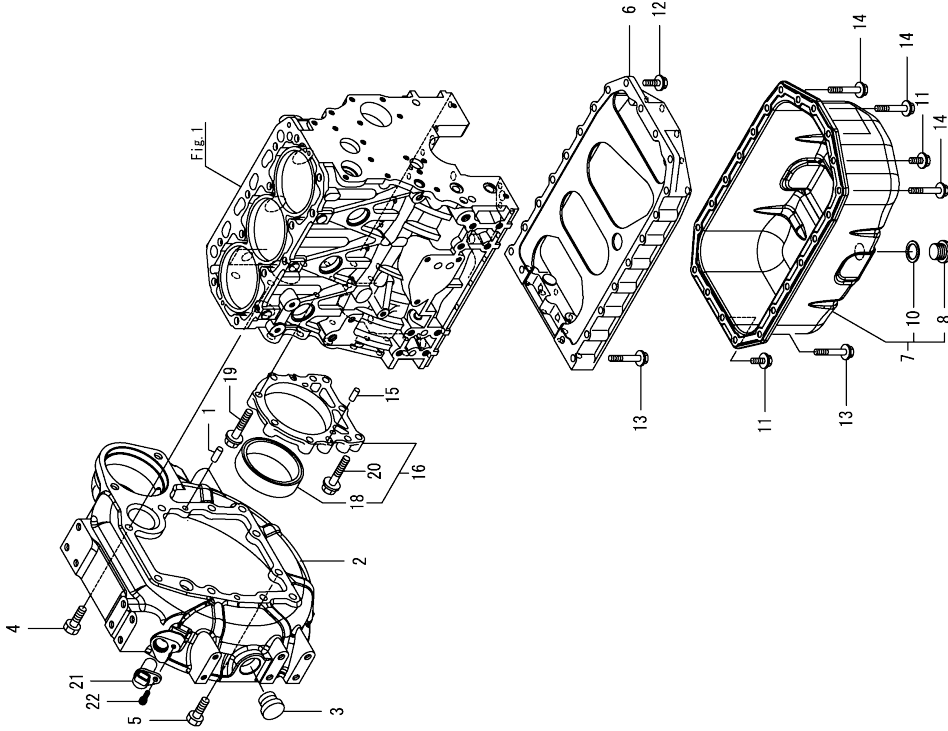
Fig.3. FLYWHEEL HOUSING & OIL SUMP

(A)=3TNV88C-KHW  
(B)=  
(C)=

(D)=  
(E)=  
(F)=

No. Lev. Parts No. Description Qty (A) (B) (C) (D) (E) (F) I R

No.	Lev.	Parts No.	Description	Qty	(A)	(B)	(C)	(D)	(E)	(F)	I	R
1	1	129100-01580	PIN, PARALLEL 8X16	2								
2	1	129A00-01602	HOUSING, FLYWHEEL	1								
3	1	119620-01750	CAP, WHEEL COVER	1								
4	1	26206-100252	BOLT, M10X 25 PLATED	6								
5	1	26206-100302	BOLT, M10X 30 PLATED	4								
6	1	129100-01730	SPACER, OIL PAN	1								
7	1	129136-01780	OIL PAN ASSY	1								
8	2	119640-01640	PLUG, DRAIN M22	1								
10	2	22190-220002	WASHER, SEAL 22	1								
11	1	26106-080162	BOLT, M8X 16 PLATED	4								
12	1	26106-080252	BOLT, M8X 25 PLATED	2								
13	1	26106-080452	BOLT, M8X 45 PLATED	16								
14	1	26106-080502	BOLT, M8X 50 PLATED	4								
15	1	129100-01580	PIN, PARALLEL 8X16	2								
16	1	129648-01600	CASE ASSY, OIL SEAL	1								
18	2	129648-01780	SEAL, OIL	1								
19	1	129486-01670	BOLT, M8X30	6								
20	1	26106-080352	BOLT, M8X 35 PLATED	3								
21	1	129A00-21710	SENSOR, FLYWHEEL	1								1
22	1	26450-060162	BOLT, M6X 16	1								



Remarks

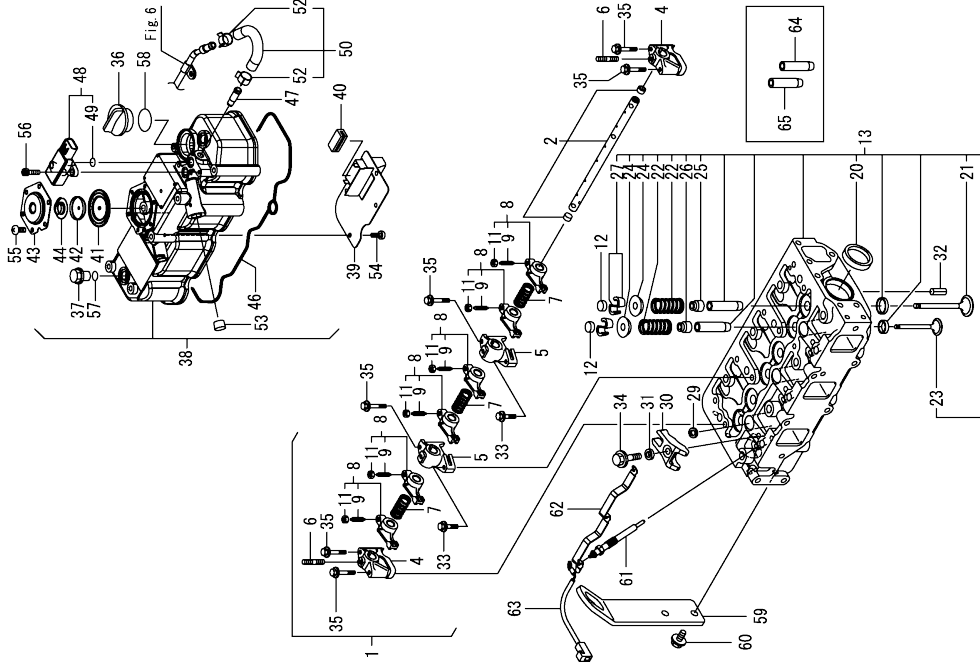
(1)When replacing this part, it is necessary to update the software of the ECU using the designated service tool. Please refer to the Service Manual for details.

Fig.4. CYLINDER HEAD & BONNET

(A)=3TNV88C-KHW  
(B)=  
(C)=  
(D)=  
(E)=  
(F)=

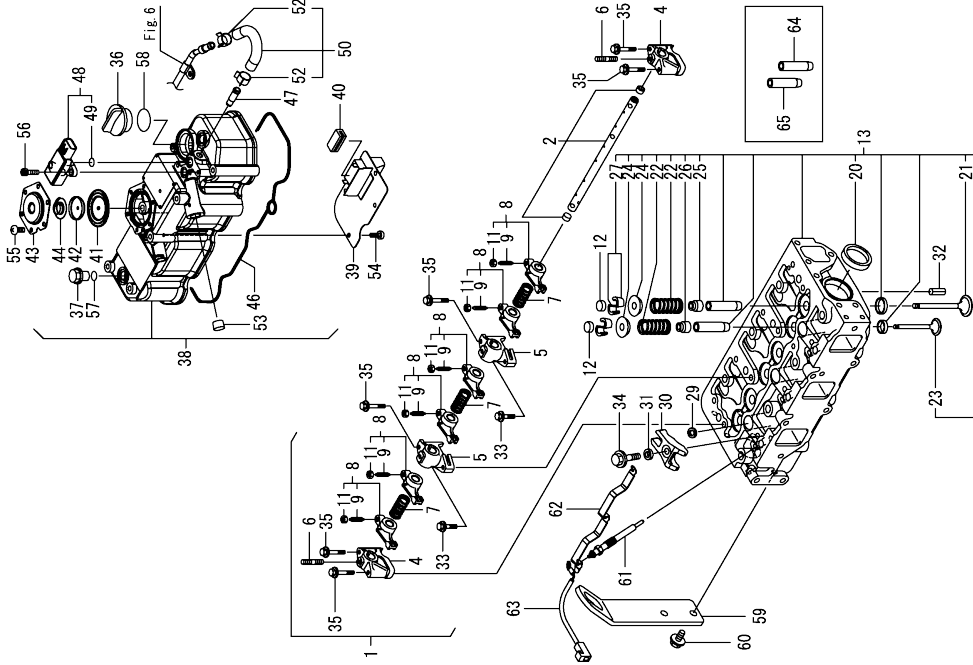
No.	Lev.	Parts No.	Description	(A)	(B)	(C)	(D)	(E)	(F)	Qty	I	R
1	1	129004-11241	SHAFT ASSY, ROCKER	1								
2	2	129004-11251	SHAFT, ROCKER ARM	1								
4	2	119802-11260	SUPPORT, ROCKER ARM	2								
5	2	119802-11270	SUPPORT, ROCKER ARM	2								
6	2	119802-11280	BOLT, STUD	3								
7	2	129150-11280	SPRING, SHAFT	3								
8	2	129004-11650	ARM ASSY, ROCKER	6								
9	3	129150-11230	SCREW, VALVE ADJUST	6								
11	3	129150-11750	NUT, M8XP1.0	6								
12	1	129150-11370	CAP, VALVE	6								
13	1	129A20-11700	HEAD ASSY, CYLINDER	1								
20	2	27241-400000	PLUG, 40	2								
21	2	129005-11100	VALVE, INTAKE	3								
22	2	129795-11120	SPRING, VALVE	6								
23	2	129100-11112	VALVE, EXHAUST	3								
24	2	129795-11180	RETAINER, SPRING	6								
25	2	124460-11340	SEAL, VALVE STEM	3								
26	2	129A00-11340	SEAL, VALVE STEM	3								
27	2	27310-080001	COTTER, 8	6								
29	1	129978-11871	GASKET, INJECTOR	3								
30	1	129A00-11900	RETAINER, INJECTOR	3								
31	1	120270-54410	WASHER, INJECTOR	3								
32	1	22351-060012	PIN, SPRING 6.0X12	2								
33	1	26106-080252	BOLT, M8X 25	2								
34	1	26106-080352	BOLT, M8X 35 PLATED	3								
35	1	26106-080502	BOLT, M8X 50 PLATED	6								
36	1	124160-01751	CAP, FILLER	1								
37	1	124160-11360	KNOB, BONNET	3								
38	1	129A00-11360	BONNET ASSY, HEAD	1								
39	2	129004-03010	PLATE, BAFFLE	1								
40	2	129150-03070	BAFFLE, BREATHER	1								
41	2	123907-03100	DIAPHRAGM, BREATHER	1								
42	2	123907-03110	PLATE, CENTER	1								
43	2	123907-03120	PLATE, BREATHER	1								
44	2	123907-03140	SPRING, DIAPHRAGM	1								
46	2	129A00-11310	GASKET, BONNET	1								
47	2	129A00-11330	JOINT	1								
48	2	129978-12700	SENSOR, PRESSURE	1								
49	3	129A00-12780	O-RING, EGR SENSOR	2								
50	2	129A00-13360	HOSE ASSY, PRESSURE	1								
52	3	129A00-13380	CLIP, HOSE 14	2								
53	2	119640-61400	PLUG	1								
54	2	22857-500100	SCREW, 5X10	4								
55	2	22857-500100	SCREW, 5X10	6								
56	2	26450-060162	BOLT, M6X 16	2								
57	1	24311-000120	O-RING, 1AP12.0	3								
58	1	24311-000320	O-RING, 1AP32.0	1								
59	1	129C20-07900	LIFTER, ENGINE	1								
60	1	26106-080162	BOLT, M8X 16 PLATED	2								
61	1	129008-77800	PLUG, GLOW	3								
62	1	129A00-77820	CONNECTOR, GLOW PLUG	1								

NOld → New, O:Old → New, R:Old → New, S:Old → New, W:Add, Z:Discontinued, F:Interchangeable by set, K:Qty Change  
++ CONTINUE ++



Remarks  
(1)When replacing this part, it is necessary to update the software of the ECU using the designated service tool.  
Please refer to the Service Manual for details.  
(2)Spare parts.

Fig.4. CYLINDER HEAD & BONNET



(A)=3TNV88C-KHW  
(B)=  
(C)=

(D)=  
(E)=  
(F)=

No.	Lev.	Parts No.	Description	(A)	(B)	(C)	(D)	(E)	(F)	I	R
63	1	119803-77830	HARNES, WIRE	1							
64	1	120130-11860	GUIDE, VALVE	3							2
65	1	129150-11810	GUIDE, VALVE	3							2

Remarks  
(1)When replacing this part, it is necessary to update the software of the ECU using the designated service tool.  
Please refer to the Service Manual for details.

(2)Spare parts.

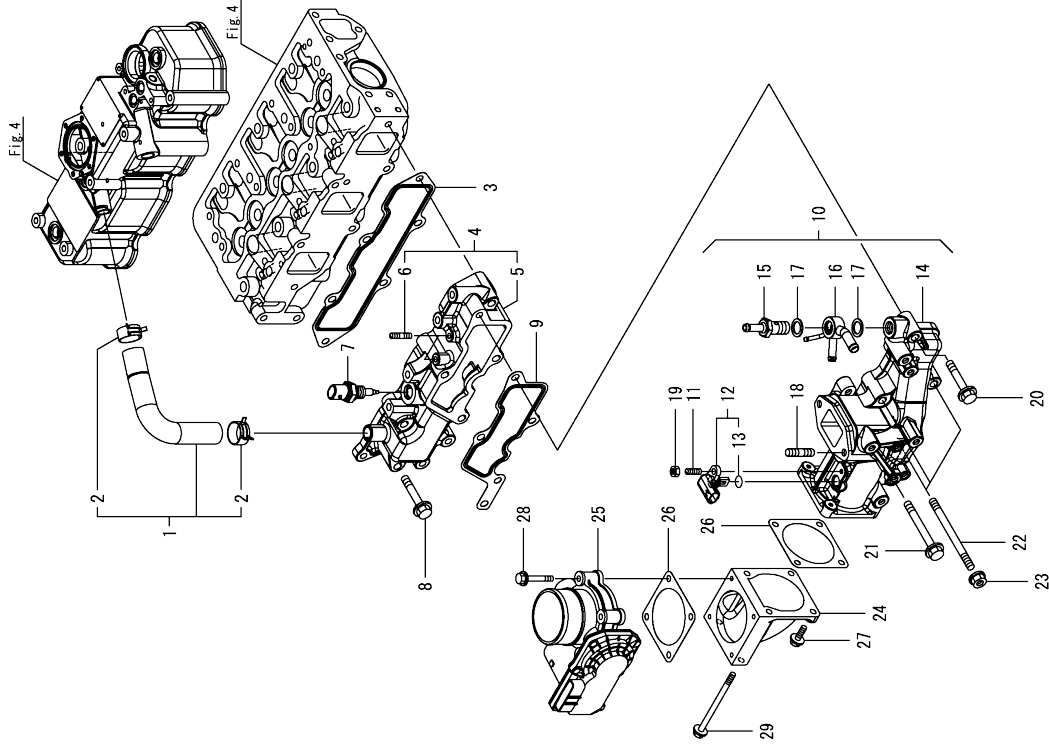


Fig.5. SUCTION MANIFOLD

(A)=3TNV88C-KHW  
(B)=  
(C)=

(D)=  
(E)=  
(F)=

No.	Lev.	Parts No.	Description	(A)	(B)	(C)	(D)	(E)	(F)	Qty	I	R
1	1	129005-03080	HOSE ASSY, BREATHER	1								
2	2	129410-03990	CLAMP, HOSE 21.5	2								
3	1	129A00-12110	GASKET, MANIFOLD	1								
4	1	129A00-12150	MANIFOLD ASSY,INTAKE	1								
5	2	129A00-12100	MANIFOLD, INTAKE	1								
6	2	26216-06020	STUD, M6X 20	2								
7	1	129A00-12721	SENSOR,AIR TEMP	1								1
8	1	26106-08050	BOLT, M8X 50	3								
9	1	129A00-12810	GASKET, COLLECTOR	1								
10	1	129A00-12851	COLLECTOR,ASSY	1								
11	2	119660-01570	STUD, M6X12	1								
12	2	129A00-12711	SENSOR, TEMPERATURE	1								
13	3	129A00-12790	O-RING, TEMP SENSOR	1								
14	2	129A00-12830	COLLECTOR, INTAKE	1								
15	2	129A00-59110	JOINT, HOSE M14	1								
16	2	129A00-59120	JOINT, HOSE 14	1								
17	2	22190-14000	WASHER, SEAL 14	2								
18	2	26216-08030	STUD, M8X 30	2								
19	2	26716-06000	NUT, M6	1								
20	1	26106-08050	BOLT, M8X 50 PLATED	1								
21	1	26106-08075	BOLT, M8X 75 PLATED	1								
22	1	26216-08105	STUD, M8X105	3								
23	1	26306-08000	NUT, M8	3								
24	1	129A00-12820	BEND, INTAKE	1								
25	1	129A00-12900	THROTTLE, INTAKE	1								1
26	1	129A00-12910	GASKET, THROTTLE	2								
27	1	26106-06020	BOLT, M6X 20	2								
28	1	26106-06040	BOLT, M6X 40 PLATED	4								
29	1	26106-06090	BOLT, M6X 90 PLATED	2								



Remarks

(1)When replacing this part, it is necessary to update the software of the ECU using the designated service tool. Please refer to the Service Manual for details.

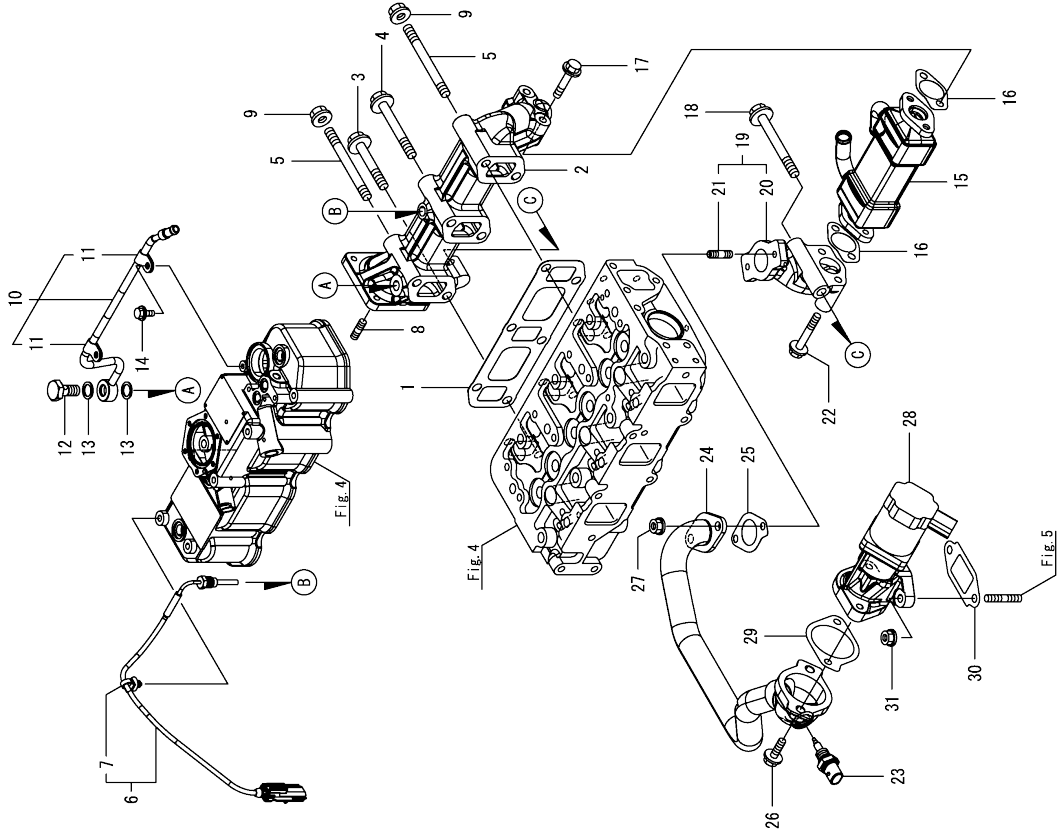
Fig.6. EXHAUST MANIFOLD

(A)=3TNV88C-KHW  
(B)=  
(C)=

(D)=  
(E)=  
(F)=

No. Lev. Parts No. Description Qty (A) (B) (C) (D) (E) (F) I R

No.	Lev.	Parts No.	Description	Qty	(A)	(B)	(C)	(D)	(E)	(F)	I	R
1	1	129A00-13110	GASKET, MANIFOLD	1								
2	1	129A00-13121	MANIFOLD, EXHAUST	1								
3	1	129F01-13620	BOLT, M10X65 10.9T	1								
4	1	129F01-13630	BOLT, M10X80 10.9T	3								
5	1	129A01-13700	STUD, 10X80 10.9	2								
6	1	129A00-13770	SENSOR, TEMPERATURE	1								
7	2	129A00-91200	CLIP, BAND	1								
8	1	119131-18320	STUD, M8X22	4								
9	1	26306-100002	NUT, M10	2								
10	1	129A00-13300	PIPE ASSY, PRESSURE	1								
11	2	23297-080061	CLAMP, A8X 6	2								
12	1	129A00-13350	BOLT, PIPE JOINT	1								
13	1	23414-120000	GASKET, 12X1.0	2								
14	1	26106-060122	BOLT, M6X 12	2								
15	1	129A00-13400	COOLER, EGR	1								
16	1	129A00-13410	GASKET, EGR COOLER	2								
17	1	129F01-13600	BOLT, M10X90 10.9T	1								
18	1	129E00-13620	BOLT, M8X40 10.9	2								
19	1	129A00-13851	PIPE, EGR OUTLET	1								
20	2	129A00-13861	PIPE, EGR OUTLET	1								
21	2	129418-18320	STUD, M8X20	2								
22	1	26106-080502	BOLT, M8X 50 PLATED	2								
23	1	129A00-13752	SENSOR,EGR GAS TEMP	1								
24	1	129A00-13800	PIPE, EGR	1								
25	1	129927-13810	GASKET, EGR PIPE	1								
26	1	26106-080252	BOLT, M8X 25 PLATED	2								
27	1	26306-080002	NUT, M8	2								
28	1	129A00-13901	VALVE, EGR	1								
29	1	129A00-13910	GASKET, EGR-V INLET	1								
30	1	129A00-13920	GASKET, EGR-V OUTLET	1								
31	1	26306-080002	NUT, M8	2								



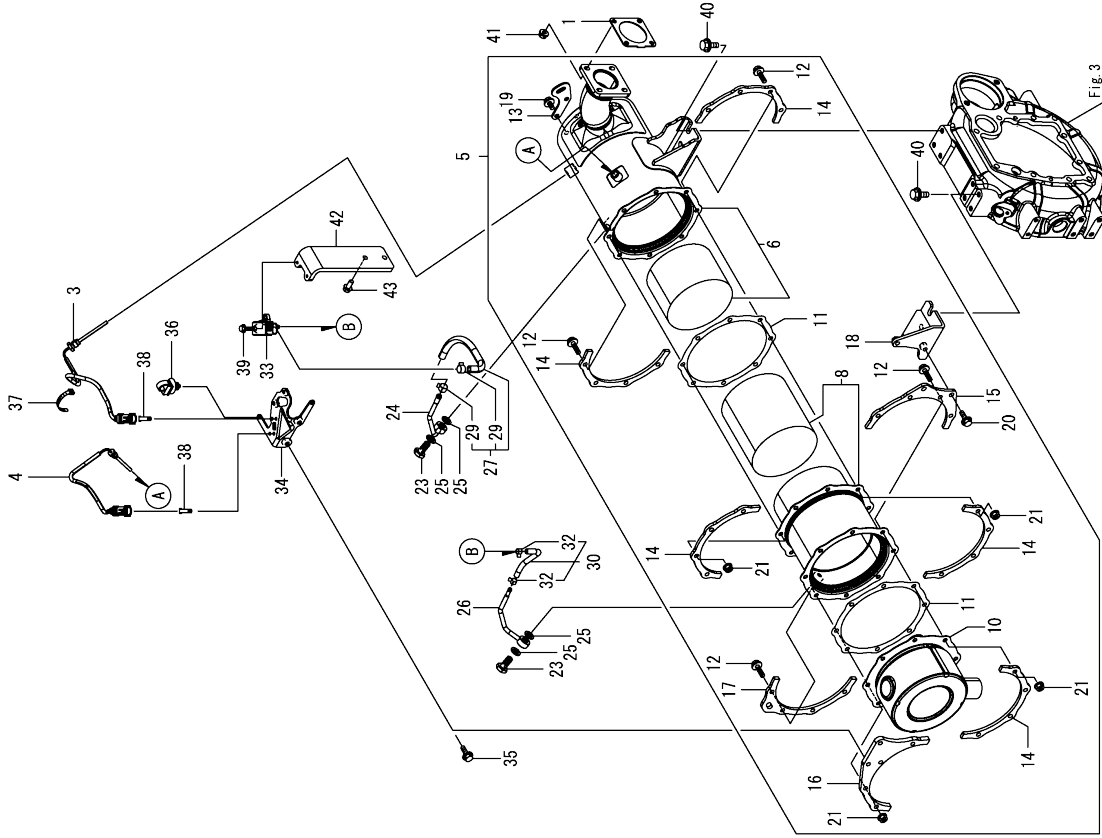
Remarks  
(1)When replacing this part, it is necessary to update the software of the ECU using the designated service tool.  
Please refer to the Service Manual for details.

Fig.7. DIESEL PARTICULATE FILTER(DPF)

(A)=3TNV88C-KHW  
(B)=  
(C)=

(D)=  
(E)=  
(F)=

No.	Lev.	Parts No.	Description	(A)	(B)	(C)	(D)	(E)	(F)	I	R
1	1	129930-13201	GASKET, SILENCER	1							
3	1	129C00-13940	SENSOR, TEMPERATURE	1							1
4	1	129C00-13950	SENSOR, TEMPERATURE	1							1
5	1	129A00-16002	DPF ASSY	1							1
6	2	129A00-16201	CASE, DOC	1							1
8	2	129A00-16400	CASE, SOOT FILTER	1							1
10	2	129A00-16500	SILENCER, DPF	1							1
11	2	129A00-16600	GASKET, DPF	2							1
12	2	129A00-16610	BOLT, M8X28 10.9T	16							1
13	2	129C01-16690	LIFTER, DPF	1							1
14	2	129A00-16700	STIFFENER, DPF A	5							1
15	2	129A00-16710	STIFFENER, DPF B	1							1
16	2	129A00-16730	STIFFENER, DPF C	1							1
17	2	129A00-16740	STIFFENER, DPF C	1							1
18	2	129A00-16801	STAY, DPF	1							1
19	2	26106-080142	BOLT, M8X 14 PLATED	2							1
20	2	26106-080222	BOLT, M8X 22 PLATED	2							1
21	2	26306-080002	NUT, M8	16							1
23	2	129A00-13350	BOLT, PIPE JOINT	2							1
24	2	129A00-17300	PIPE, SENSOR	1							1
25	2	129A00-17311	GASKET, SENSOR	4							1
26	2	129A00-17350	PIPE, SENSOR	1							1
27	2	129A24-17600	HOSE ASSY,PRES EXH	1							1
29	3	129A00-17520	CLIP, HOSE	2							1
30	2	129A00-17650	HOSE ASSY, PRESSURE	1							1
32	3	129A00-17570	CLIP, HOSE SENSOR,	2							1
33	2	129978-17700	PRESSURE	1							1
34	2	129A00-17760	BRACKET, PRES SENSOR	1							1
35	2	26106-080202	BOLT, M8X 20 PLATED	2							1
36	1	129A00-91200	CLIP, BAND	1							1
37	1	129C00-91200	BAND	1							1
38	1	129A00-91430	CLIP, CONNECTOR	2							1
39	1	26106-060162	BOLT, M6X 16 PLATED	2							1
40	1	26106-100202	BOLT, M10X 20 PLATED	4							1
41	1	26306-080002	NUT, M8	4							1
42	1	129A24-17760	BRACKET, PRES SENSOR	1							1
43	1	26106-080202	BOLT, M8X 20 PLATED	2							1



Remarks

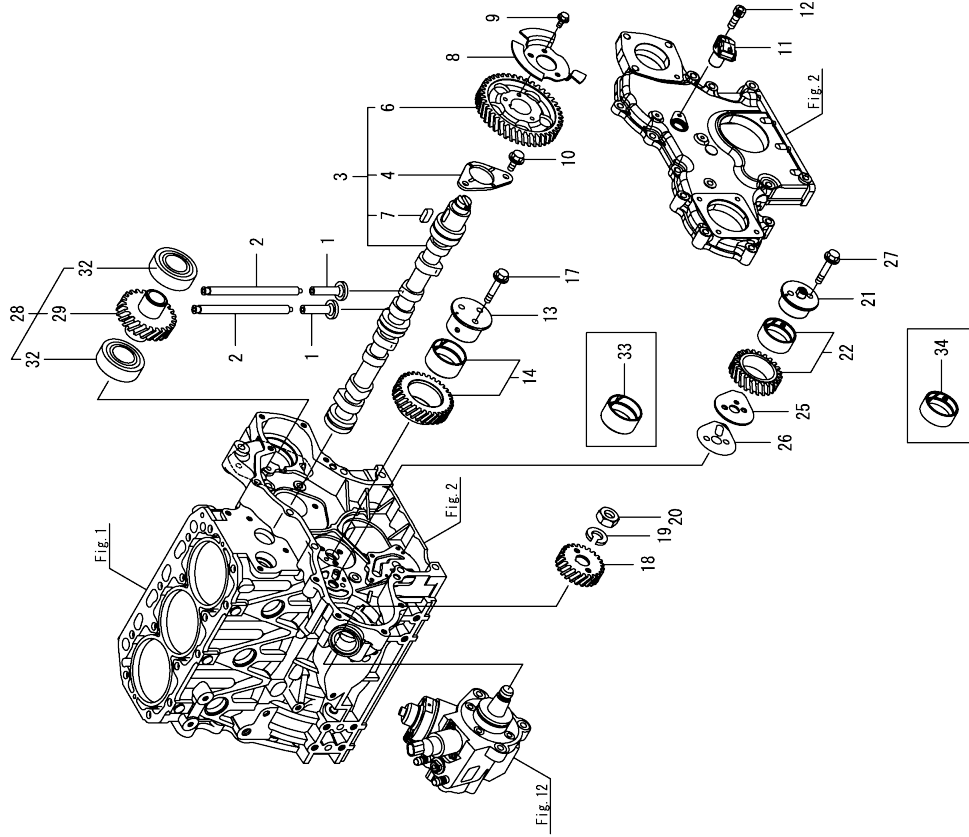
(1)When replacing this part, it is necessary to update the software of the ECU using the designated service tool. Please refer to the Service Manual for details.

Fig.8. CAMSHAFT & DRIVING GEAR

(A)=3TNV88C-KHW  
(B)=  
(C)=

(D)=  
(E)=  
(F)=

No.	Lev.	Parts No.	Description	(A)	(B)	(C)	(D)	(E)	(F)	Qty	I	R
1	1	129150-14200	TAPPET							6		
2	1	129150-14400	ROD, PUSH L=178							6		
3	1	129A00-14580	CAMSHAFT ASSY							1		
4	2	129150-02450	METAL, THRUST							1		
6	2	129A00-14100	GEAR, CAMSHAFT							1		
7	2	22512-070140	KEY, 7X 14							1		
8	1	129A00-14700	PULSER, CAMSHAFT							1		
9	1	26106-060102	BOLT, M6X 10 PLATED							3		
10	1	26106-080142	BOLT, M8X 14 PLATED							2		
11	1	129A00-14710	SENSOR, ROTATION							1		
12	1	26450-060162	BOLT, M6X 16							1		
13	1	129A00-25050	SHAFT, IDLE GEAR A							1		
14	1	129A00-25110	GEAR ASSY, IDLE A							1		
17	1	26106-080452	BOLT, M8X 45 PLATED							3		
18	1	129A00-25900	GEAR, SUPPLY PUMP							1		
19	1	22217-180000	WASHER, SPRING 18							1		
20	1	26776-180002	NUT, LOCK M18							1		
21	1	129A00-25060	SHAFT, IDLE GEAR B							1		
22	1	129A00-25120	GEAR ASSY, IDLE B							1		
25	1	129A00-25200	PLATE, IDLE SHAFT B							1		
26	1	129A00-25210	GASKET, IDLE SHAFT B							1		
27	1	26106-080402	BOLT, M8X 40 PLATED							2		
28	1	129A88-26000	DRIVE ASSY, PUMP							1		
29	2	129484-26210	GEAR ASSY, PUMP							1		
32	2	24105-060064	BEARING, BALL 6006Z							2		
33	1	119802-25071	BUSH, IDLE GEAR							1		
34	1	129A00-25080	BUSH, IDLE GEAR B							1		



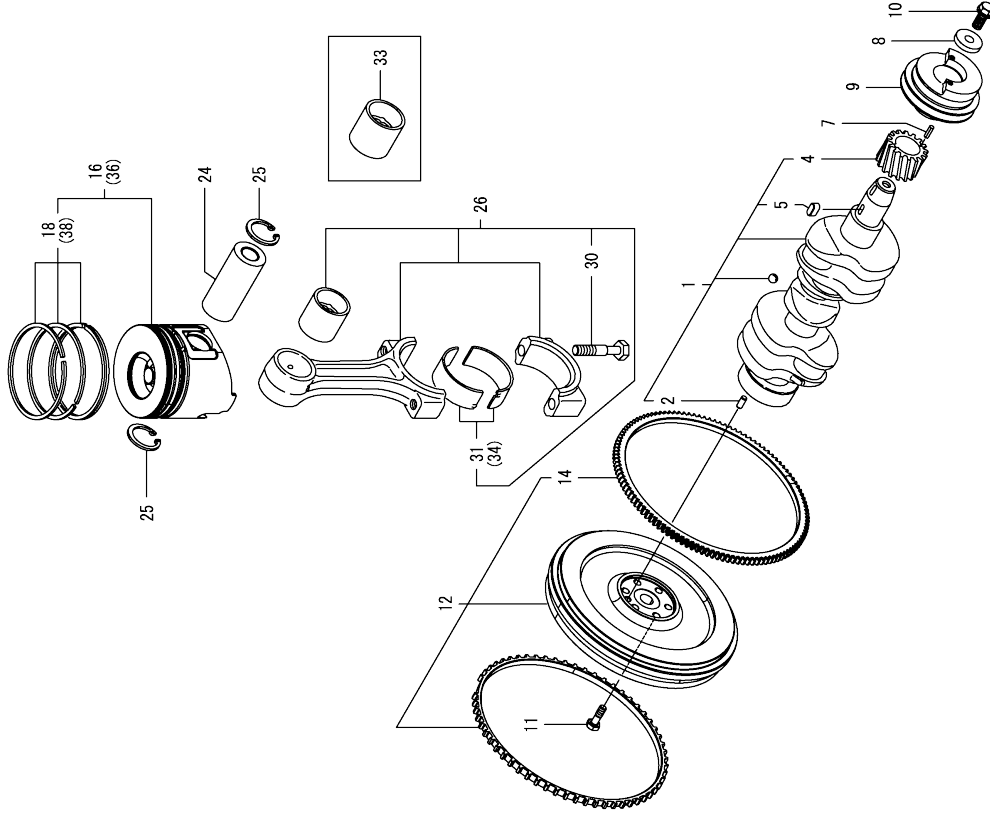
Remarks  
(1)Spare parts.

Fig.9. CRANKSHAFT & PISTON

(A)=3TNV88C-KHW  
(B)=  
(C)=

(D)=  
(E)=  
(F)=

No.	Lev.	Parts No.	Description	(A)	(B)	(C)	(D)	(E)	(F)	Qty	I	R
1	1	129008-21000	CRANKSHAFT ASSY	1								
2	2	129100-01580	PIN, PARALLEL 8X16	1								
4	2	119803-21200	GEAR, CRANKSHAFT	1								
5	2	22512-070140	KEY, 7X 14	1								
7	1	22351-030010	PIN, SPRING 3.0X10	1								
8	1	129795-21661	WASHER, 14	1								
9	1	129054-21671	V-PULLEY, CRANKSHAFT	1								
10	1	121850-21680	BOLT, V-PULLEY	1								
11	1	121111-21501	BOLT, FLYWHEEL	6								
12	1	129A00-21580	FLYWHEEL ASSY	1								
14	2	119865-21600	GEAR, RING	1								
16	1	129C00-22080	PISTON ASSY	3								
18	2	129A00-22500	RING SET, PISTON	3								
24	1	129202-22300	PIN, PISTON D26 L70	3								
25	1	22252-000260	RING, 26	6								
26	1	729402-23100	ROD ASSY, CONNECTING	3								
30	2	121550-23200	BOLT, CONNECTING ROD	6								
31	2	129150-23601	METAL ASSY, CRANK PIN	3								
33	1	129100-23910	METAL, PISTON PIN	3								1
34	1	129150-23611	METAL, CRANK PIN .25	3								2
36	1	129C00-22900	PISTON ASSY, 0.25 OS	3								3
38	2	129A00-22950	RING SET, PISTON .25	3								3



Remarks

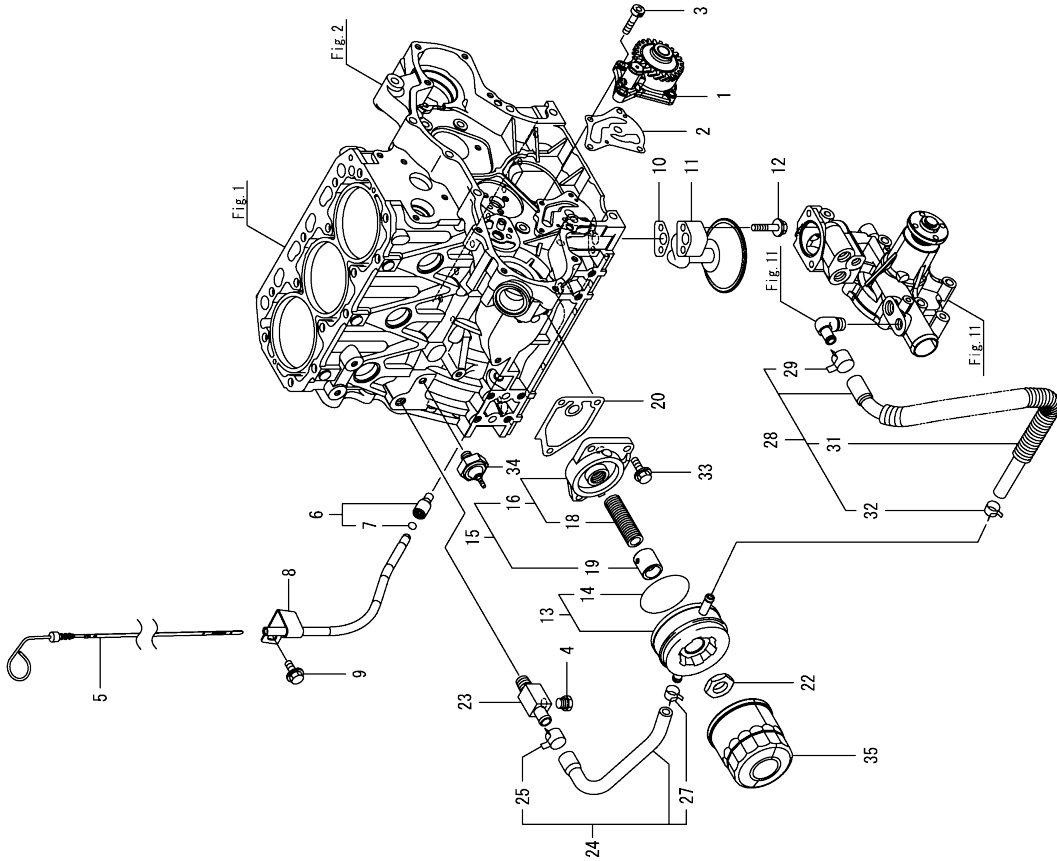
- (1) Spare parts.
- (2) Under-sized (U.S.=0.25) parts.
- (3) Over-sized (O.S.=0.25) parts.

OCD50-M04200 ENGINE  
**Fig.10. LUB. OIL SYSTEM**

OCD50-M04200 Fig.10

(A)=3TNV88C-KHW  
 (B)=  
 (C)=  
 (D)=  
 (E)=  
 (F)=

No.	Lev.	Parts No.	Description	(A)	(B)	(C)	(D)	(E)	(F)	Qty	I	R
1	1	129A00-32000	PUMP ASSY, OIL	1						1		
2	1	129486-32020	GASKET, PUMP	1						1		
3	1	26450-060252	BOLT, M8X 25	4						4		
4	1	171056-49120	PLUG, DRAIN R1/4	1						1		
5	1	129601-34801	DIPSTICK, OIL	1						1		
6	1	119260-34810	GUIDE, DIPSTICK	1						1		
7	2	24316-240100	O-RING, 4DP10A	1						1		
8	1	129A00-34870	GUIDE, DIPSTICK	1						1		
9	1	26106-080162	BOLT, M8X 16	1						1		
10	1	129150-35042	GASKET, INLET PIPE	1						1		
11	1	129100-35301	PIPE ASSY, OIL INLET	1						1		
12	1	26106-080352	BOLT, M8X 35 PLATED	2						2		
13	1	129508-33031	COOLER ASSY, OIL	1						1		
14	2	129508-33060	GASKET, COOLER	1						1		
15	1	129508-35100	BRACKET ASSY,LO	1						1		
16	2	129006-35100	BRACKET ASSY, FILTER	1						1		
18	3	129417-35150	STUD, M20X67 COLLAR, OIL-COOLER	1						1		
19	2	129508-35150	OIL-COOLER	1						1		
20	1	129150-35111	GASKET, BRACKET	1						1		
22	1	124085-35350	NUT, M20	1						1		
23	1	129006-44480	JOINT, R02	1						1		
24	1	129508-49030	HOSE ASSY, COOLER IN	1						1		
25	2	171008-03990	CLAMP, HOSE 18.5	1						1		
27	2	23080-015000	CLAMP 15	1						1		
28	1	129006-49040	HOSE ASSY,COOLER OUT	1						1		
29	2	171008-03990	CLAMP, HOSE 18.5 TUBE,	1						1		
31	2	129642-49180	CORRUGATED 19	1						1		
32	2	23080-015000	CLAMP 15	1						1		
33	1	26106-080202	BOLT, M8X 20 PLATED	3						3		
34	1	114250-39450	SWITCH, HYDRAULIC	1						1		
35	1	129150-35153	FILTER ASSY, D80X80L	1						1		

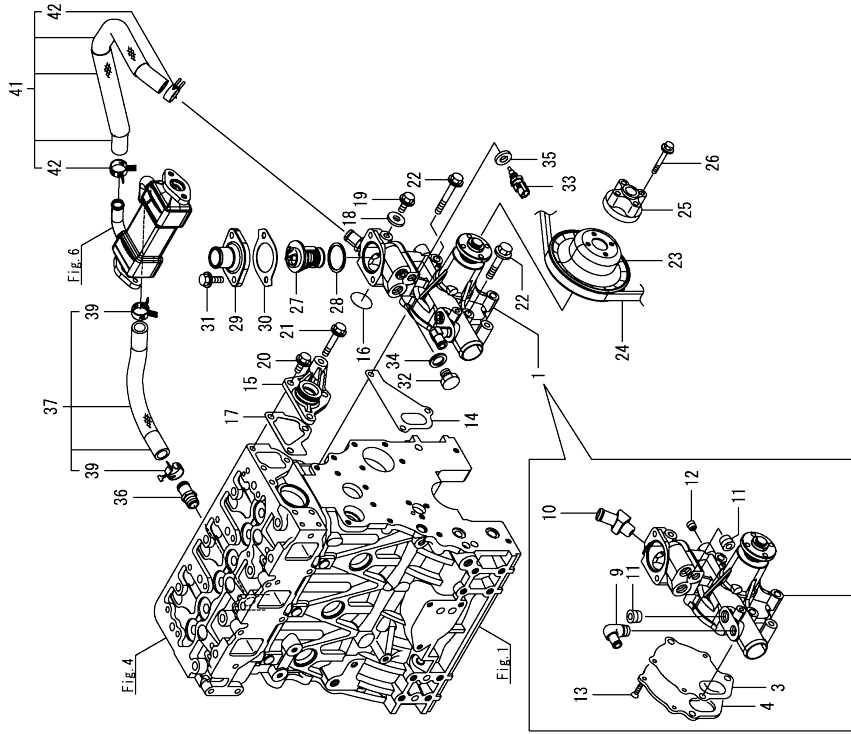


Remarks  
 (1)Spare parts.

Fig.11. COOLING WATER SYSTEM

(A)=3TNV88C-KHW  
(B)=  
(C)=  
(D)=  
(E)=  
(F)=

No.	Lev.	Parts No.	Description	(A)	(B)	(C)	(D)	(E)	(F)	Qty	I	R
1	1	129A24-42010	PUMP ASSY, CW	1						1		
3	2	129100-42051	GASKET, WATER PUMP	1						1		
4	2	129100-42121	PLATE, PUMP	1						1		
9	2	129103-49301	ELBOW, PT1/4	1						1		
10	2	129C26-49300	ELBOW, R3/8	1						1		
11	2	129916-49740	PLUG, R3/8	2						2		
12	2	23876-010000	PLUG, R01	1						1		
13	2	26577-060142	SCREW M 6X 14	3						3		
14	1	129486-42021	GASKET, WATER	1						1		
15	1	129004-42040	JOINT, WATER PIPE O-	1						1		
16	1	129486-42140	RING, G30 GASKET,	1						1		
17	1	124395-49840	THERMOSTAT	1						1		
18	1	23414-080000	GASKET, 8X1,0 BOLT,	1						1		
19	1	26106-080122	M8X 12 PLATED BOLT,	1						1		
20	1	26106-080162	M8X 16 PLATED	3						3		
21	1	26106-080452	BOLT, M8X 45 PLATED	1						1		
22	1	26106-080602	BOLT, M8X 60 PLATED	3						3		
23	1	129550-42350	V-PULLEY, PUMP	1						1		
24	1	129612-42370	V-BELT, A39.5	1						1		
25	1	129457-44760	SPACER, FAN	1						1		
26	1	26106-060452	BOLT, M6X 45 PLATED	4						4		
27	1	129457-49801	THERMOSTAT, 82C	1						1		
28	1	129150-49811	GASKET, THERMOSTAT	1						1		
29	1	129350-49530	COVER, THERMOSTAT	1						1		
30	1	129795-49551	GASKET, COVER	1						1		
31	1	26106-080222	BOLT, M8X 22 PLATED	2						2		
32	1	121450-42450	PLUG, M16	1						1		
33	1	129927-44900	SENSOR, TEMPERATURE	1						1		
34	1	124465-44950	GASKET, 16	1						1		
35	1	22190-120002	WASHER, SEAL 12	1						1		
36	1	129928-49420	JOINT	1						1		
37	1	129A00-49610	PIPE ASSY, EGR-C IN	1						1		
39	2	129960-03990	CLAMP, HOSE 19.8	2						2		
41	1	129A23-49640	HOSE, COOLER OUTLET	1						1		
42	2	129960-03990	CLAMP, HOSE 19.8	2						2		



Remarks

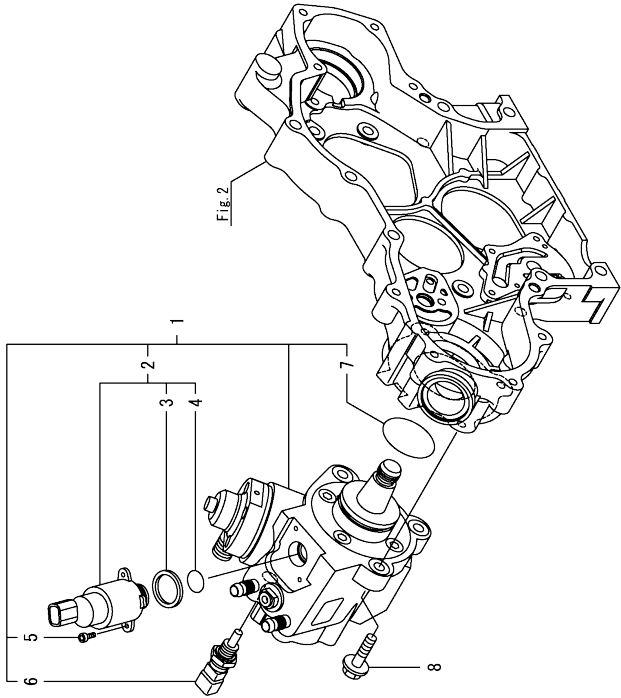
(1)When replacing this part, it is necessary to update the software of the ECU using the designated service tool. Please refer to the Service Manual for details.

0CD50-M04200 ENGINE  
**Fig.12. FUEL SUPPLY PUMP**

0CD50-M04200 Fig.12

(A)=3TNV88C-KHW  
 (B)=  
 (C)=  
 (D)=  
 (E)=  
 (F)=

No.	Lev.	Parts No.	Description	(A)	(B)	(C)	(D)	(E)	(F)	I	R
1	1	129A00-51000	PUMP ASSY, FUEL	1							1
2	2	129A00-51100	VALVE ASSY	1							1
3	3	129A00-51110	RING, SEAL	1							1
4	3	129A00-51120	O-RING, MPROP	1							1
5	2	129A00-51130	BOLT, MPROP	2							2
6	2	129A00-51200	SENSOR, TEMPERATURE	1							1
7	2	129A00-51900	O-RING, FUEL PUMP	1							1
8	1	26106-080302	BOLT, M8X30 PLATED	3							3



Remarks  
 (1)When replacing this part, it is necessary to update the software of the ECU using the designated service tool.  
 Please refer to the Service Manual for details.

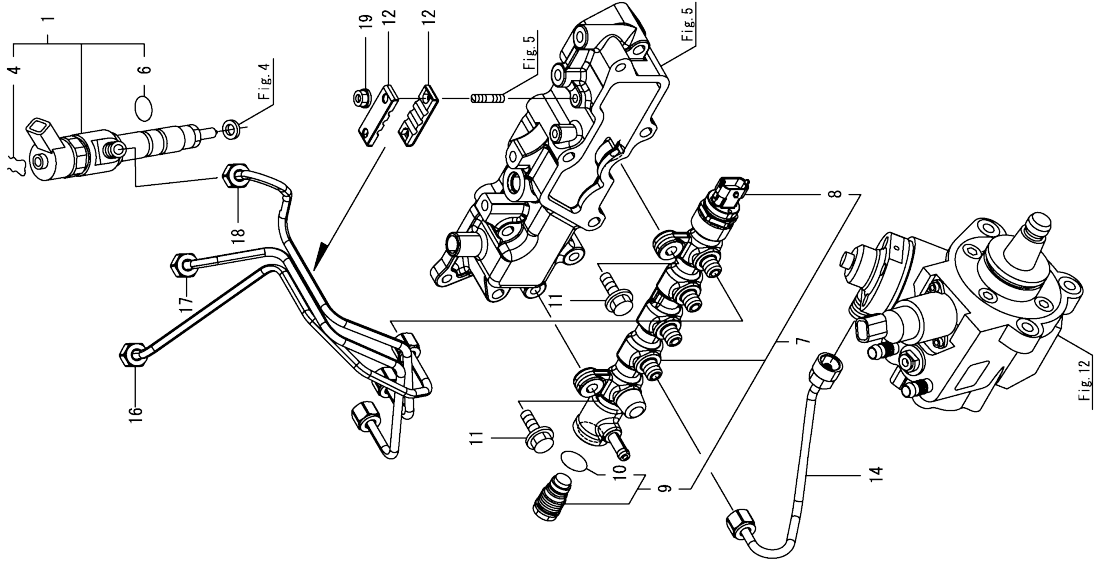


Fig.13. FUEL INJECTION VALVE

(A)=3TNV88C-KHW  
(B)=  
(C)=

(D)=  
(E)=  
(F)=

No.	Lev.	Parts No.	Description	Qty			I	R
				(A)	(B)	(C)		
1	1	129A00-53100	INJECTOR, CR	3				1
4	2	129A00-53200	RING, RETAINING	3				
6	2	129C28-53300	O-RING	3				
7	1	129A00-57000	COMMON RAIL ASSY	1				1
8	2	129A00-57100	SENSOR, PRESSURE	1				1
9	2	129A00-57200	VALVE ASSY, PLV4	1				1
10	3	129A00-57210	O-RING, PLV4	1				
11	1	26106-080252	BOLT, M8X 25 PLATED	2				
12	1	123372-59100	RETAINER, PIPE	2				
14	1	129A00-59700	PIPE ASSY, RAIL IN	1				
16	1	129A00-59810	PIPE ASSY, INJECTION	1				
17	1	129A00-59820	PIPE ASSY, INJECTION	1				
18	1	129A00-59830	PIPE ASSY, INJECTION	1				
19	1	26366-060002	NUT, M6	2				



Remarks

(1)When replacing this part, it is necessary to update the software of the ECU using the designated service tool. Please refer to the Service Manual for details.

(A)=3TNV88C-KHW  
 (B)=  
 (C)=  
 (D)=  
 (E)=  
 (F)=

No.	Lev.	Parts No.	Description	Qty					
				(A)	(B)	(C)	(D)	(E)	(F)
1	1	129A00-55600	<b>FILTER ASSY, FUEL</b>	1					
2	2	129A00-55610	BRACKET ASSY, FILTER	1					
3	2	<b>129A00-55600</b>	<b>FILTER, FUEL</b>	1					
4	1	26106-080302	BOLT, M8X 30 PLATED	2					
5	1	129900-07900	LIFTER, ENGINE	1					
6	1	129A00-55650	BRACKET, FILTER	1					
7	1	26106-080252	BOLT, M8X 25 PLATED	2					
8	1	26106-080252	BOLT, M8X 25 PLATED	1					
9	1	129A00-59010	<b>PIPE ASSY, FUEL</b>	1					
12	2	23080-015000	CLAMP, 15	2					
13	1	129A23-59500	<b>PIPE ASSY, RETURN</b>	1					
15	2	23080-007000	CLAMP, 7	1					
16	1	129A00-59020	<b>PIPE ASSY, RETURN</b>	1					
19	2	23080-015000	CLAMP, 15	2					
20	1	129A00-59030	<b>PIPE ASSY, RETURN</b>	1					
21	2	114270-59010	CLAMP, HOSE 12	2					
24	2	129A00-91200	CLIP, BAND	1					
25	1	129A00-59040	<b>PIPE ASSY, RETURN</b>	1					
26	2	114270-59010	CLAMP, HOSE 12	2					

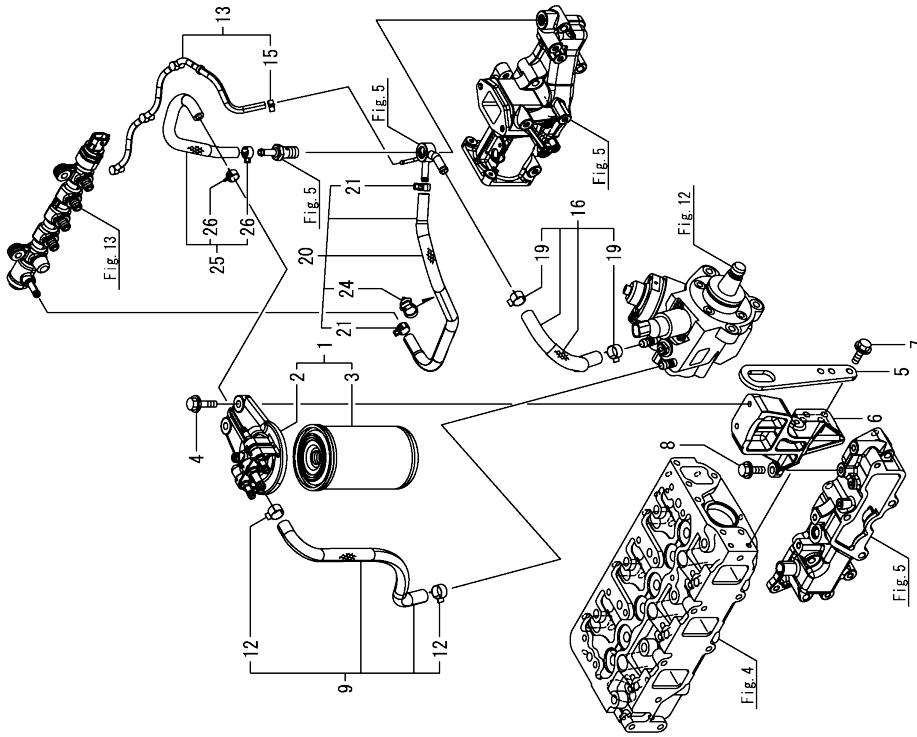
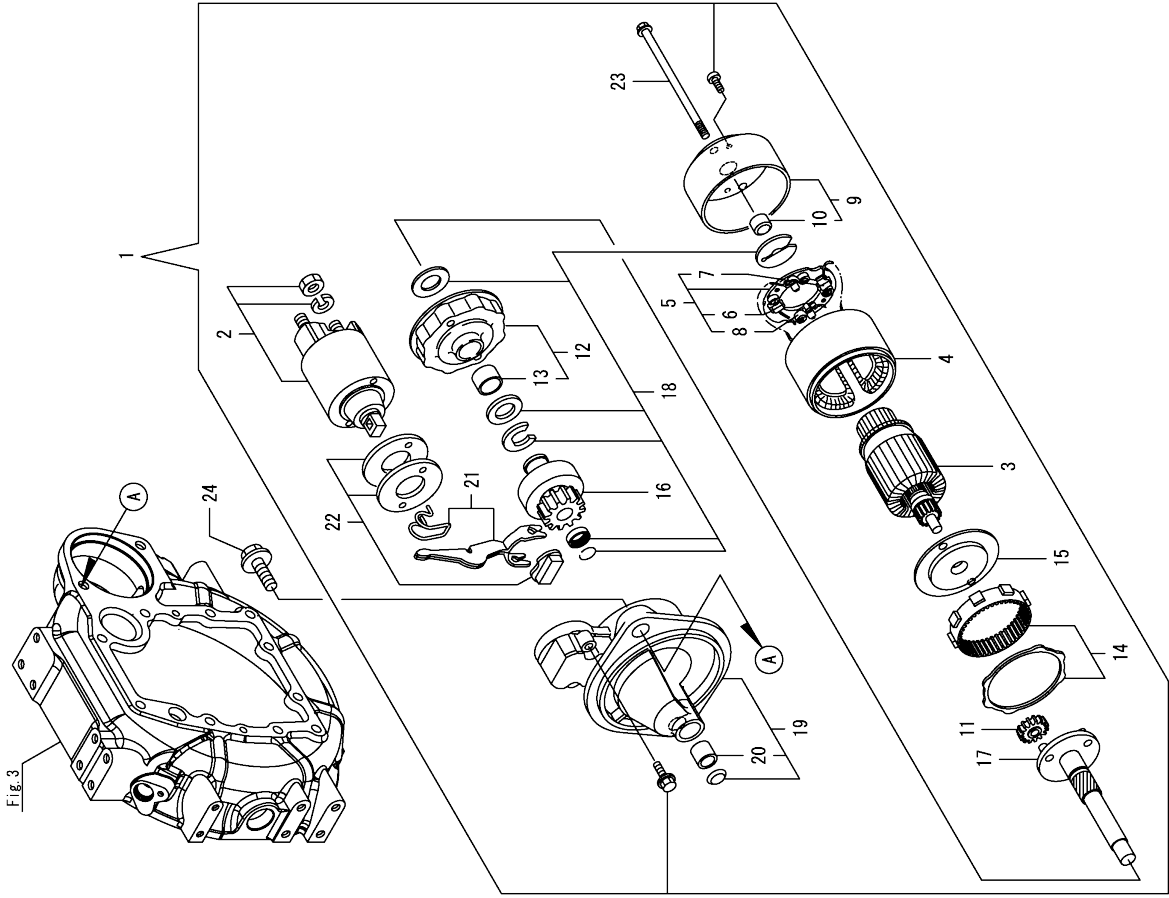


Fig.15. STARTER MOTOR

(A)=3TNV88C-KHW  
(B)=  
(C)=  
(D)=  
(E)=  
(F)=

No.	Lev.	Parts No.	Description	(A)	(B)	(C)	(D)	(E)	(F)	Qty	I	R
1	1	129242-77010	STARTER, 1.7 SWITCH	1						1		
2	2	129698-77020	ASSY, MAGNET	1						1		
3	2	129242-77100	ARMATURE ASSY	1						1		
4	2	129242-77110	YOKE ASSY	1						1		
5	2	129242-77120	HOLDER ASSY, BRUSH	1						1		
6	3	129242-77130	BRUSH, -	2						2		
7	3	129242-77140	BRUSH SET	1						1		
8	3	129242-77150	SPRING, BRUSH	4						4		
9	2	129242-77160	COVER ASSY, STARTER	1						1		
10	3	129242-77170	METAL, REAR COVER	1						1		
11	2	118400-77170	GEAR, PLANETARY	3						3		
12	2	129242-77180	BRACKET, CENTER P	1						1		
13	3	129698-77190	BRACKET, CENTER	1						1		
14	2	129698-77200	GEAR, INTERNAL	1						1		
15	2	129242-77210	BRACKET, CENTER A	1						1		
16	2	129698-77220	PINION ASSY	1						1		
17	2	129698-77230	SHAFT, PINION	1						1		
18	2	129698-77250	WASHER SET	1						1		
19	2	129242-77260	CASE ASSY, GEAR	1						1		
20	3	X2114535200	METAL, STARTER	1						1		
21	2	129242-77270	LEVER SET, SHIFT	1						1		
22	2	129242-77280	COVER KIT, DUST	1						1		
23	2	124195-77770	BOLT, THROUGH	2						2		
24	1	26106-120252	BOLT, M12X 25 PLATED	2						2		



(A)=3TNV88C-KHW  
 (B)=  
 (C)=  
 (D)=  
 (E)=  
 (F)=

No.	Lev.	Parts No.	Description	(A)	(B)	(C)	(D)	(E)	(F)	Qty	I	R
1	1	129908-77200	<b>ALTERNATOR, 12V oder Hako?</b>	1						1		
2	2	129908-77710	<b>G BEARING, BALL FR ROTOR</b>	1						1		
3	2	129908-77720		1						1		
4	2	129908-77730	BEARING, BALL RR	1						1		
5	2	129908-77740	RECTIFIER	1						1		
6	2	129908-77750	REGULATOR	1						1		
7	2	129908-77760	STATOR	1						1		
8	2	129908-77770	PROTECTOR	1						1		
9	1	129908-77220	BOLT, STOPPER M10	1						1		
10	1	129A20-77350	<b>PIECE, DISTANCE</b>	1						1		
11	1	26306-100002	NUT, M10	1						1		
12	1	119810-77340	BOLT, ADJUSTER L=30	1						1		
13	1	129688-77340	<b>ADJUSTER, BELT</b>	1						1		

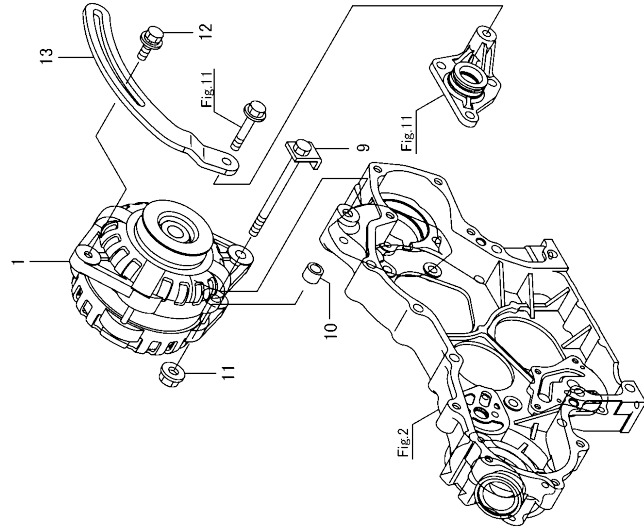
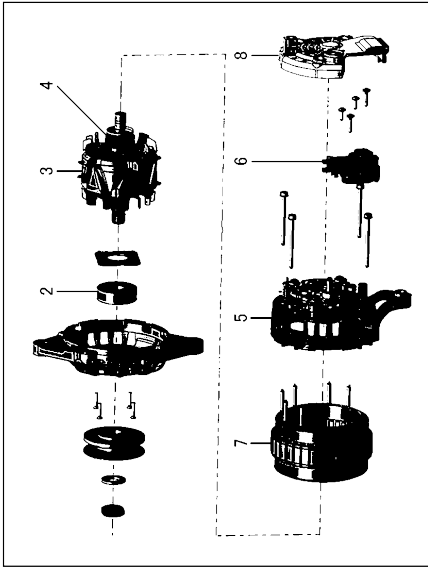
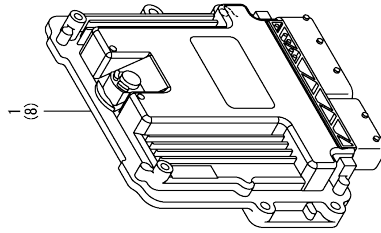


Fig.17. ELECTRONIC CONTROL UNIT(ECU)

(A)=3TNV88C-KHW  
(B)=  
(C)=  
(D)=  
(E)=  
(F)=

No.	Lev.	Parts No.	Description	(A)	(B)	(C)	(D)	(E)	(F)	Qty	I	R
1	1	129A24-75110	ECU ASSY,3-88C-KHW	1						1		1
8	1	129A00-75910	ECU ASSY,SERVICE YMR	1						2		2



Remarks

- (1)Eco ECU  
This part cannot be ordered.  
Replace the part using a Service ECU with the proper engine information installed.
- (2)Service ECU  
When replacing this part, it is necessary to update the software of the ECU using the designated service tool.  
Please refer to the Service Manual for details.

OCD50-M04200 ENGINE  
**Fig.18. ELECTRIC PARTS**

OCD50-M04200 Fig.18

(A)=3TNV88C-KHW  
 (B)=  
 (C)=

(D)=  
 (E)=  
 (F)=

No.	Lev.	Parts No.	Description	Qty			I	R
				(A)	(B)	(C)		
1	1	129A24-77940	BRACKET, CONNECTOR	1				
2	1	129A00-91222	HARNES, B T4	1				
12	1	129A00-91231	HARNES, C T4	1				
17	1	129A00-91451	BOOT, CAP TYPE	1				
18	1	129A00-91600	BRACKET, HARNES	1				
19	1	26106-080122	BOLT, M8X 12	2				
20	1	26106-080142	BOLT, M8X 14 PLATED	2				
21	1	29621-100000	BAND, TR100	1				
22	1	29621-200000	BAND	1				

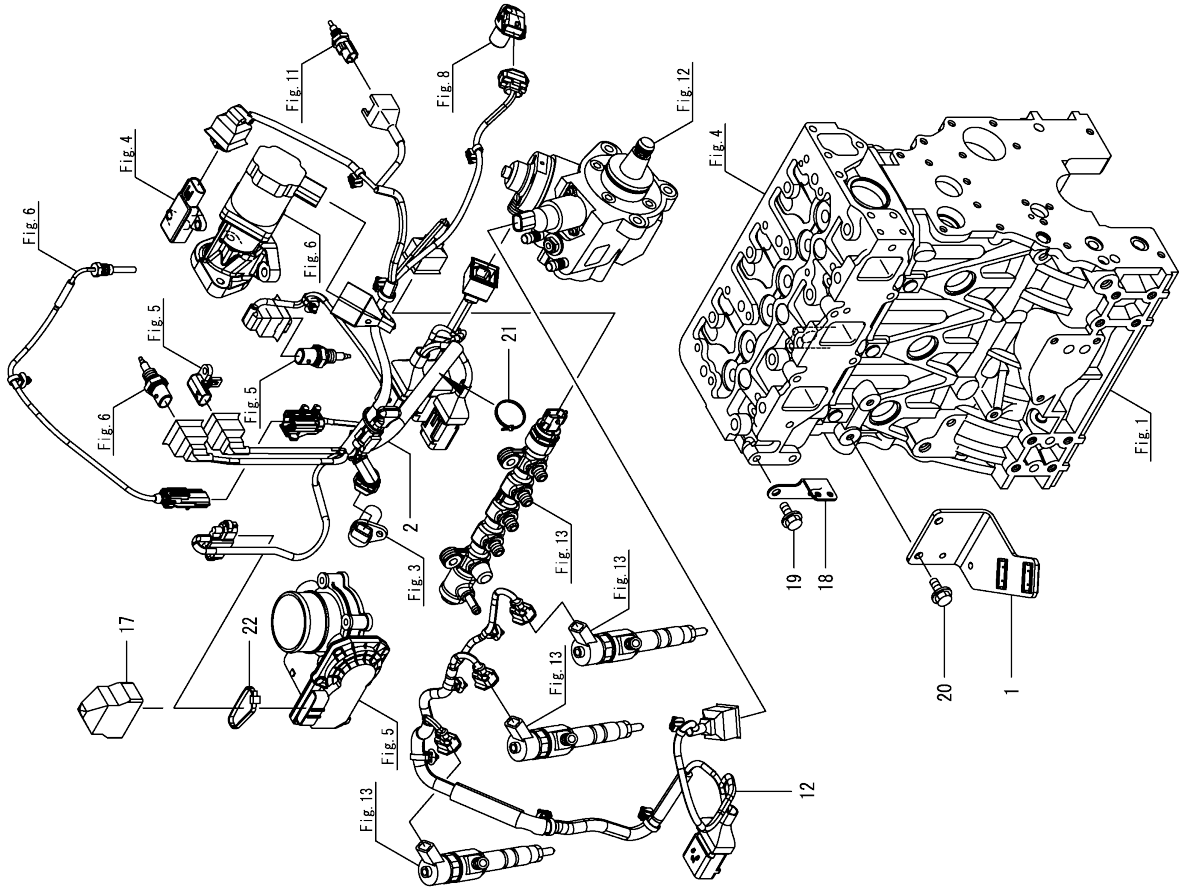
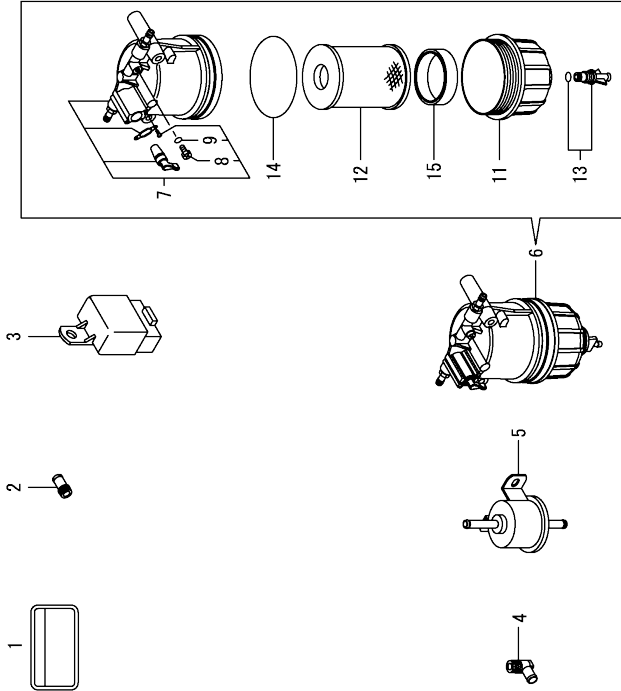


Fig.19. ACCESSORY

(A)=3TNV88C-KHW  
(B)=  
(C)=

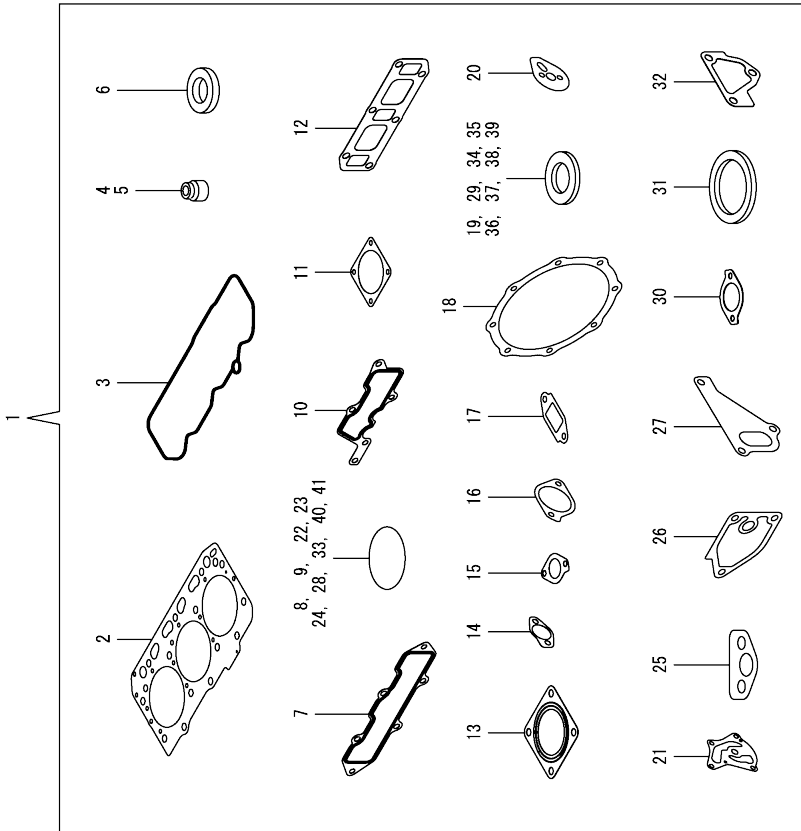
(D)=  
(E)=  
(F)=

No.	Lev.	Parts No.	Description	(A)	(B)	(C)	(D)	(E)	(F)	I	R
1	1	114110-07761	LABEL, FUEL CAUTION	1							
2	1	121851-11970	JOINT, PIPE 3/8	1							
3	1	172B02-17150	RELAY, CA TYPE C	1							
4	1	119852-49300	ELBOW, R3/8	1							
5	1	129612-52100	PUMP, FUEL FEED	1							
6	1	129A00-55700	FILTER ASSY, FUEL PRE	1							
7	2	129A00-55710	BODY ASSY	1							
8	3	129A00-55751	PLUG, AIR VENT	1							
9	3	129A00-55760	O-RING	1							
11	2	129A00-55720	CUP, CLEAR	1							
12	2	129A00-55730	ELEMENT, FUEL FILTER	1							
13	2	129242-55740	PLUG, DRAIN	1							
14	2	129A00-55740	O-RING	1							
15	2	129A00-55770	FLOAT	1							



(A)=3TNV88C-KHW  
 (B)=  
 (C)=  
 (D)=  
 (E)=  
 (F)=

No.	Lev.	Parts No.	Description	(A)	(B)	(C)	(D)	(E)	(F)	Qty	I	R
1	1	129A24-92600	GASKET SET	1						1		1
2	2	129A00-01331	GASKET ASSY. HEAD	1						1		
3	2	129A00-11310	GASKET. BONNET	1						1		
4	2	124460-11340	SEAL, VALVE STEM	3						3		
5	2	129A00-11340	SEAL, VALVE STEM	3						3		
6	2	129978-11871	GASKET. INJECTOR	3						3		
7	2	129A00-12110	GASKET. MANIFOLD	1						1		
8	2	129A00-12780	O-RING, EGR SENSOR	2						2		
9	2	129A00-12790	O-RING, TEMP SENSOR	1						1		
10	2	129A00-12810	GASKET. COLLECTOR	1						1		
11	2	129A00-12910	GASKET. THROTTLE	2						2		
12	2	129A00-13110	GASKET. MANIFOLD	1						1		
13	2	128300-13230	GASKET. SILENCER	1						1		
14	2	129A00-13410	GASKET, EGR COOLER	2						2		
15	2	129927-13810	GASKET, EGR PIPE	1						1		
16	2	129A00-13910	GASKET, EGR-V INLET	1						1		
17	2	129A00-13920	GASKET, EGR-V OUTLET	1						1		
18	2	129A00-16600	GASKET. DPF	2						2		
19	2	129A00-17311	GASKET. SENSOR	4						4		
20	2	129A00-25210	GASKET, IDLE SHAFT B	1						1		
21	2	129486-32020	GASKET, PUMP	1						1		
22	2	119609-32040	O-RING, P16	2						2		
23	2	119624-32040	O-RING, P12.0	1						1		
24	2	129508-33050	O-RING	1						1		
25	2	129150-35042	GASKET, INLET PIPE	1						1		
26	2	129150-35111	GASKET, BRACKET	1						1		
27	2	129486-42021	GASKET, WATER PUMP	1						1		
28	2	129486-42140	O-RING, G30	1						1		
29	2	124465-44950	GASKET, 16	1						1		
30	2	129795-49551	GASKET. COVER	1						1		
31	2	129150-49811	GASKET, THERMOSTAT	1						1		
32	2	124395-49840	GASKET, THERMOSTAT	1						1		
33	2	129A00-51900	O-RING, FUEL PUMP	1						1		
34	2	22190-080002	WASHER, SEAL 8	1						1		
35	2	22190-120002	WASHER, SEAL 12	1						1		
36	2	22190-140002	WASHER, SEAL 14	2						2		
37	2	22190-220002	WASHER, SEAL 22	1						1		
38	2	23414-080000	GASKET, 8X1.0	1						1		
39	2	23414-120000	GASKET, 12X1.0	2						2		
40	2	24311-000120	O-RING, 1AP12.0	3						3		
41	2	24311-000320	O-RING, 1AP32.0	2						2		



Remarks  
 (1)Optional parts.



# Parts No. Index

Parts No.	Fig. No.	Ref. No.
114110-07761	19	1
114250-39450	10	34
114270-59010	14	21
	26	26
118400-77170	15	11
119131-18320	6	8
119260-34810	10	6
119609-32040	2	5
	20	22
119620-01750	3	3
119624-32040	2	6
	20	23
119640-01640	3	8
119640-61400	4	53
119660-01570	5	11
119802-11260	4	4
119802-11270	4	5
119802-11280	4	6
119802-25071	8	33
119803-21200	9	4
119803-77830	4	63
119810-77340	16	12
119852-49300	19	4
119865-21600	9	14
119934-01800	2	19
120130-11860	4	64
120270-54410	4	31
121023-26071	2	9
121111-21501	9	11
121450-42450	11	32
121550-23200	9	30
121850-21680	9	10
121851-11970	19	2
123372-59100	13	12
123907-03100	4	41
123907-03110	4	42
123907-03120	4	43
123907-03140	4	44
124060-01050	1	11
124085-35350	10	22
124160-01751	2	3
	4	36
124160-01910	1	12
	13	13
124160-11360	4	37
124195-77770	15	23
124240-01871	2	12
	20	20
124395-49840	11	17
	20	32

Parts No.	Fig. No.	Ref. No.
124460-11340	4	25
	20	4
124465-44950	11	34
	20	29
	20	13
128300-13230	1	4
129001-01250	1	29
129001-02931	4	39
129004-03010	4	1
129004-11241	4	2
129004-11251	4	8
129004-11650	4	8
129004-42040	11	15
129005-03080	5	1
129005-11100	4	21
129006-35100	10	16
129006-44480	10	23
129006-49040	10	28
129008-21000	9	1
129008-77800	4	61
129054-21671	2	2
129100-01580	3	1
	9	2
	3	6
129100-01730	3	6
129100-11112	4	23
129100-23910	9	33
129100-35301	10	11
129100-42051	11	3
129100-42121	11	4
129103-49301	11	9
129136-01780	3	7
129150-01200	1	27
129150-02020	1	6
129150-02450	8	4
129150-02871	1	32
129150-02931	1	24
129150-02941	1	35
129150-03070	4	40
129150-11230	4	9
129150-11280	4	7
129150-11370	4	12
129150-11750	4	11
129150-11810	4	65
129150-14200	8	1
129150-14400	8	2
129150-23601	9	31
129150-23611	9	34
129150-35042	10	10
	20	25

Parts No.	Fig. No.	Ref. No.
129150-35111	10	20
	20	26
129150-35153	10	35
129150-49811	11	11
	20	31
129202-22300	9	24
129242-55740	19	13
129242-77010	15	1
129242-77100	15	3
129242-77110	15	4
129242-77120	15	5
129242-77130	15	6
129242-77140	15	7
129242-77150	15	8
129242-77160	15	9
129242-77170	15	10
129242-77180	15	12
129242-77210	15	15
129242-77260	15	19
129242-77270	15	21
129242-77280	15	22
129350-49530	11	29
129410-03990	5	2
129417-35150	10	18
129418-18320	6	21
129457-44760	11	25
129457-49801	11	27
129484-26210	8	29
129486-01670	3	19
129486-32020	10	2
	20	21
129486-42021	11	14
	20	27
129486-42140	11	16
	20	28
129508-33031	10	13
129508-33050	20	24
129508-33060	10	14
129508-35100	10	15
129508-35150	10	19
129508-49030	10	24
129550-42350	11	23
129601-34801	10	5
129612-42370	11	24
129612-52100	19	5
129642-49180	10	31
129648-01600	3	16
129648-01780	3	18
129688-77340	16	13
129698-77020	15	2

Parts No.	Fig. No.	Ref. No.
129698-77190	15	13
129698-77200	15	14
129698-77220	15	16
129698-77230	15	17
129698-77250	15	18
129795-01950	2	4
129795-02412	1	9
129795-11120	4	22
129795-11180	4	24
129795-21661	9	8
129795-49551	11	30
	20	30
129900-07900	14	5
129908-77200	16	1
129908-77220	16	9
129908-77710	16	2
129908-77720	16	3
129908-77730	16	4
129908-77740	16	5
129908-77750	16	6
129908-77760	16	7
129908-77770	16	8
129916-49740	11	11
129927-13810	6	25
	20	15
129927-44900	11	33
129928-49420	11	36
129930-13201	7	1
129960-03990	11	39
	4	42
129978-11871	4	29
	20	6
129978-12700	4	48
129978-17700	7	33
129A00-01331	1	28
	20	2
129A00-01560	1	1
129A00-01602	3	2
129A00-11310	4	46
	20	3
129A00-11330	4	47
129A00-11340	4	26
	20	5
129A00-11360	4	38
129A00-11900	4	30
129A00-12100	5	5
129A00-12110	5	3
	20	7
129A00-12150	5	4
129A00-12711	5	12

# Parts No. Index

Parts No.	Fig. No.	Ref. No.
129A00-12721	5	7
129A00-12780	4	49
	20	8
129A00-12790	5	13
	20	9
129A00-12810	5	9
	20	10
129A00-12820	5	24
129A00-12830	5	14
129A00-12851	5	10
129A00-12900	5	25
129A00-12910	5	26
	20	11
129A00-13110	6	1
	20	12
129A00-13121	6	2
129A00-13300	6	10
129A00-13350	6	12
	7	23
129A00-13360	4	50
129A00-13380	4	52
129A00-13400	6	15
129A00-13410	6	16
	20	14
129A00-13752	6	23
129A00-13770	6	6
129A00-13800	6	24
129A00-13851	6	19
129A00-13861	6	20
129A00-13901	6	28
129A00-13910	6	29
	20	16
129A00-13920	6	30
	20	17
129A00-14100	8	6
129A00-14580	8	3
129A00-14700	8	8
129A00-14710	8	11
129A00-16002	7	5
129A00-16201	7	6
129A00-16400	7	8
129A00-16500	7	10
129A00-16600	7	11
	20	18
129A00-16610	7	12
129A00-16700	7	14
129A00-16710	7	15
129A00-16730	7	16
129A00-16740	7	17
129A00-16801	7	18

Parts No.	Fig. No.	Ref. No.
129A00-17300	7	24
129A00-17311	7	25
	20	19
129A00-17350	7	26
129A00-17520	7	29
129A00-17570	7	32
129A00-17650	7	30
129A00-17760	7	34
129A00-21580	9	12
129A00-21710	3	21
129A00-22500	9	18
129A00-22950	9	38
129A00-25050	8	21
129A00-25060	8	21
129A00-25080	8	34
129A00-25110	8	14
129A00-25120	8	22
129A00-25200	8	25
129A00-25210	8	26
	20	20
129A00-25900	8	18
129A00-32000	10	1
129A00-34870	10	8
129A00-49610	11	37
129A00-51000	12	1
129A00-51100	12	2
129A00-51120	12	3
129A00-51130	12	4
129A00-51200	12	5
129A00-51900	12	6
	20	7
129A00-53100	13	33
129A00-53200	13	1
129A00-55600	14	4
129A00-55610	14	2
129A00-55650	14	6
129A00-55700	19	6
129A00-55710	19	7
129A00-55720	19	11
129A00-55730	19	12
129A00-55740	19	14
129A00-55751	19	8
129A00-55760	19	9
129A00-55770	19	15
129A00-55800	14	3
129A00-57000	13	7
129A00-57100	13	8
129A00-57200	13	9
129A00-57210	13	10

Parts No.	Fig. No.	Ref. No.
129A00-59010	14	9
129A00-59020	14	16
129A00-59030	14	20
129A00-59040	14	25
129A00-59110	5	15
129A00-59120	5	16
129A00-59700	13	14
129A00-59810	13	16
129A00-59820	13	17
129A00-59830	13	18
129A00-75910	17	8
129A00-77820	4	62
129A00-91200	7	7
	14	24
129A00-91222	18	2
129A00-91231	18	12
129A00-91430	7	38
129A00-91451	18	17
129A00-91600	18	18
129A01-13700	6	5
129A20-11700	4	13
129A20-77350	16	10
129A23-49640	11	41
129A23-59500	14	13
129A24-17600	7	27
129A24-17760	7	42
129A24-42010	11	1
129A24-75110	17	1
129A24-77940	18	1
129A24-92600	20	1
129A88-26000	8	28
129C00-01550	2	17
129C00-13940	7	3
129C00-13950	7	4
129C00-22080	9	16
129C00-22900	9	36
129C00-91200	7	37
129C01-16690	7	13
129C20-07900	4	59
129C26-01890	2	13
129C26-49300	11	10
129C28-53300	13	6
129C32-01500	2	1
129E00-13620	6	18
129F01-13600	6	17
129F01-13620	6	3
129F01-13630	6	4
171008-03990	10	25
		29

Parts No.	Fig. No.	Ref. No.
171051-01921	1	5
171056-49120	10	4
172B02-17150	19	3
22190-080002	2	14
	20	21
	20	34
22190-120002	11	35
	20	35
22190-140002	5	17
	20	36
22190-220002	3	10
	20	37
22217-180000	8	19
22252-000260	9	25
22351-030010	9	7
22351-060012	4	32
22512-070140	8	7
	9	5
22857-500100	4	54
		55
23080-007000	14	15
23080-015000	10	27
	14	32
	14	12
23297-080061	6	11
23414-080000	11	18
	20	38
23414-120000	6	13
	20	39
23876-010000	11	12
24105-060064	8	32
24311-000120	4	57
	20	40
24311-000320	2	7
	4	58
	20	41
24316-240100	10	7
24321-000850	2	10
26106-060102	8	9
26106-060122	6	14
26106-060162	7	39
26106-060202	5	27
26106-060402	5	28
26106-060452	11	26
26106-060902	5	29
26106-080122	11	19
	18	19
26106-080142	2	15
	7	19

# Parts No. Index

Parts No.	Fig. No.	Ref. No.
26106-080142	8	10
	18	20
26106-080162	2	8
	3	11
	4	60
	10	9
	11	20
26106-080202	7	35
		43
	10	33
26106-080222	7	20
	11	31
26106-080252	3	12
	4	33
	6	26
	13	11
	14	7
		8
26106-080302	12	8
	14	4
26106-080352	2	16
		23
	3	20
	4	34
	10	12
26106-080402	2	24
	8	27
26106-080452	3	13
	8	17
	11	21
	3	14
	4	35
	5	8
		20
	6	22
26106-080602	2	25
	11	22
26106-080752	5	21
26106-080852	2	26
26106-100202	2	11
	7	40
	15	24
26106-120252	3	4
26206-100252	3	5
26206-100302	3	5
26216-060202	5	6
26216-080302	5	18
26216-081052	5	22
26306-080002	5	23
	6	27

Parts No.	Fig. No.	Ref. No.
26306-080002	6	31
	7	21
		41
26306-100002	6	9
	16	11
26366-060002	13	19
26450-060162	3	22
	4	56
	8	12
	10	3
26450-060252	11	13
26577-060142	5	19
26716-060002	8	20
26776-180002	1	14
27241-120000	1	10
27241-300000	4	20
27241-400000	4	27
27310-080001	18	21
29621-100000	18	22
29621-200000	9	26
729402-23100	15	20
X2114535200		

Parts No.	Fig. No.	Ref. No.
-----------	----------	----------

Parts No.	Fig. No.	Ref. No.
-----------	----------	----------